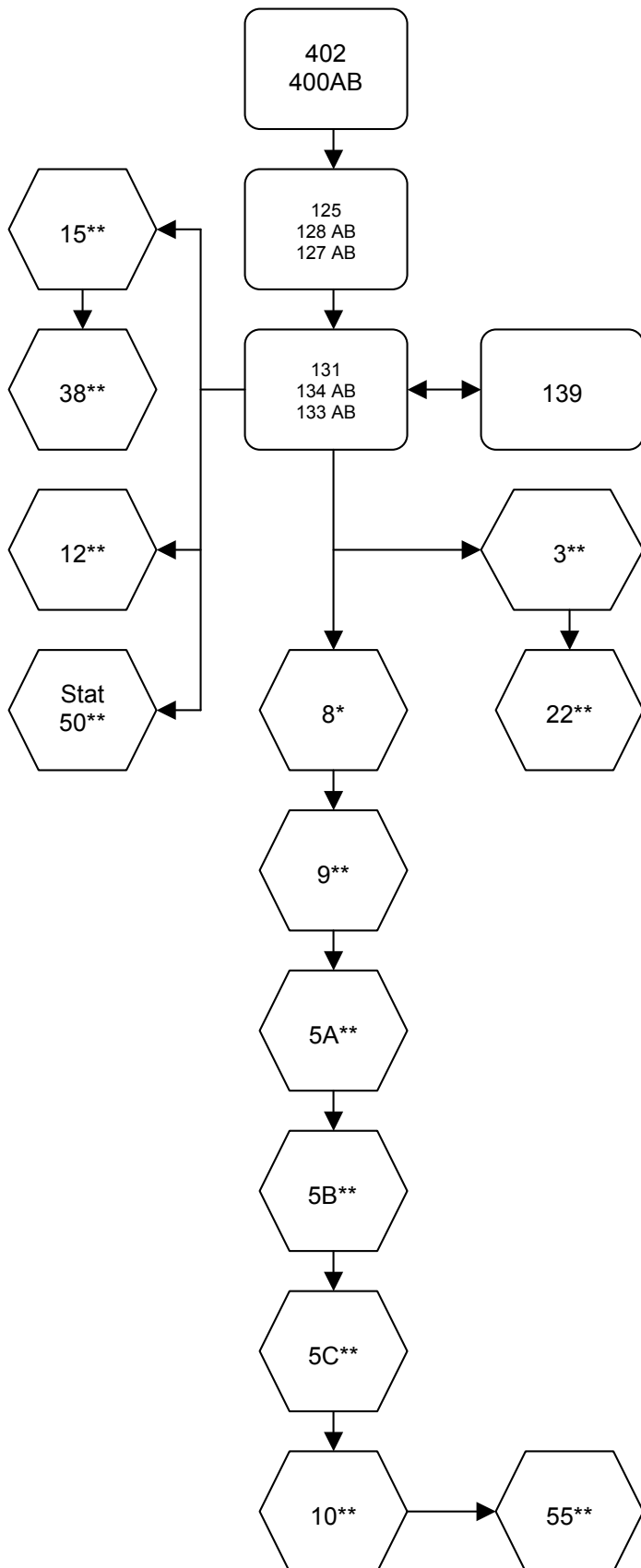


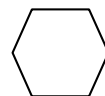
# Pasadena City College Mathematics Courses



Course #	Class
402, 400AB	Prealgebra
125, 128AB, 127AB	Elementary Algebra
139	Plane Geometry (may be taken with 131/134AB/133AB)
131, 134AB, 133AB	Intermediate Algebra
15**	Math for Liberal Arts majors
38**	Foundations of Elementary School Mathematics
12**	Finite Math
Stat 50**	Statistics
3**	College Algebra
22**	Discrete Mathematics
8*	Trigonometry
9**	Precalculus
5A**	Calculus I
5B**	Calculus II
5C**	Calculus III
10**	Linear Algebra
55**	Differential Equations



Non-transferable courses



Transferable courses

\*will meet CSU's requirement in Quantitative Reasoning

\*\*will meet IGETC or CSU's requirements in Quantitative Reasoning